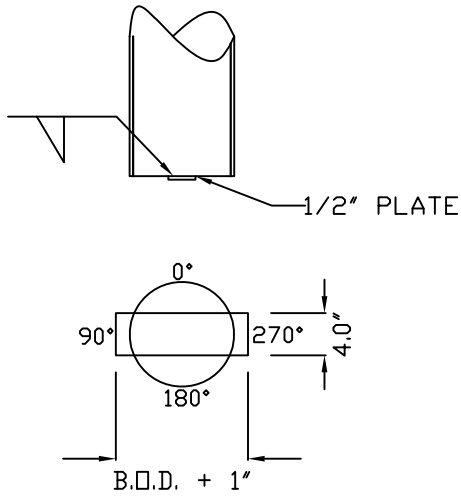
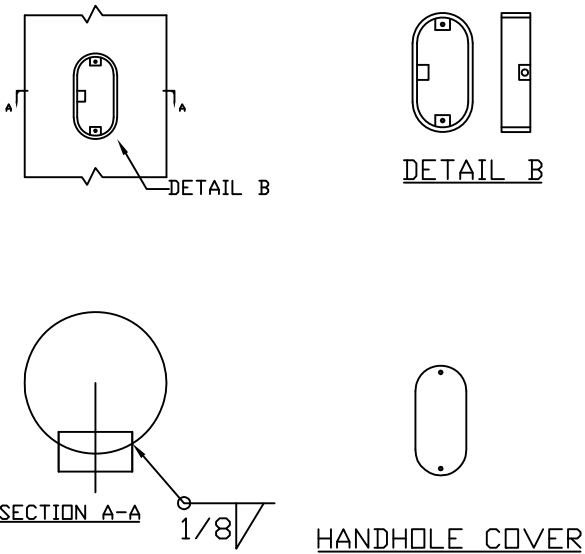


REVISIONS

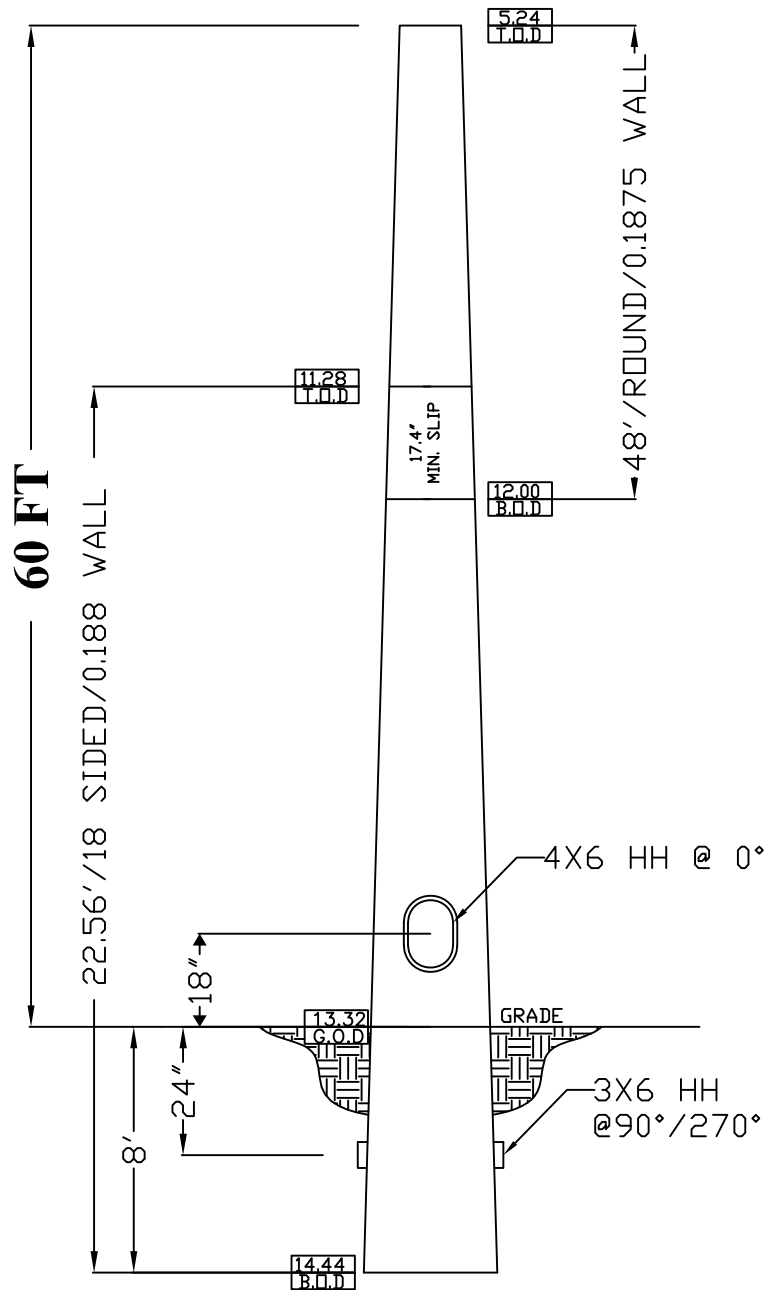


BASE DETAIL



REINFORCED HANDHOLE

COMPONENT	SPECIFICATION
POLE SHAFT	A572 GR.65
MISC. STEEL	ASTM A36



POLE ELEVATION

TOLERANCES +/- 0.010 UNLESS OTHERWISE NOTED
 +/- 0.005 ROUND HOLE TOL.
 +/- 0.010 HOLE TO HOLE TOL.

DIMENSIONS ARE IN INCHES UNLESS OTHERWISE NOTED.

This information is confidential and proprietary to Qualite Sports Lighting, Inc. and is not to be revealed or distributed to others without the permission of Qualite Sports Lighting, Inc. or used in any manner detrimental to the interest of Qualite Sports Lighting, Inc.

DET	REQ	MATERIAL
QUALITE SPORTS LIGHTING HILLSDALE, MICHIGAN		
NAME 60' EMBEDDED STEEL POLE		
E:\60' embedded pole.dwg		
DR DJF	SCALE NONE	DATE 3/13/2008 NO